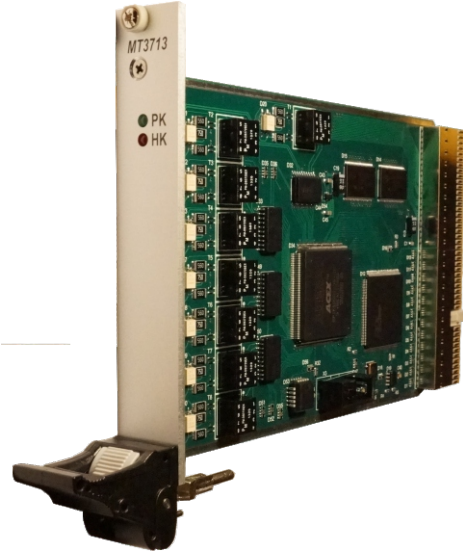


## 3U CompactPCI<sup>®</sup> PlusIO MIL-STD-1553

- Four Dual Redundant MIL-STD-1553A&B
- Programmable mode of operation
- Direct or transformer coupled interface
- Front panel or rear I/O



The MT3713 module is designed for providing exchange over the trunk serial interface MIL -STD-1553B through four dual redundant or eight independent channels in three modes of operation:

- in the channel controller mode, the MT3713 module makes it possible to transmit messages and control commands over the communication link. After a single preparation of data by the CPU, the MT3713 module provides the exchange of messages with network users by hardware, thus allowing the CPU to perform other tasks. The number of messages addressed arbitrarily to users is up to 32;

- in the TD (terminal device) mode, the MT3713 module makes it possible to receive messages and execute control commands. The TD address is programmed (up to 32 addresses);

- in the monitor mode, the MT3713 module allows any information transmitted over the communication link to be received and stored in the random access memory.

For the receiving and transmitting information in any mode of operation, the module stores the time of its reception and transmission fixed by the built-in timer of the device. The timer has a programmable duration and counting period, as well as a means for shaping the CPU interrupts.

# Technical Data

## Compact PCI Interface

- PICMG 2.0 Rev. 3.0 compliant, 32 Bit address/data/33MHz

## I/O

- Four Dual Redundant or eight independence MIL-STD-1553A&B
- Programmable mode of operation

## Memory

- RAM
  - Controller mode: 16 KB
  - Terminal mode: 8 KB
  - Monitor mode: 4,5 KB

## Miscellaneous

- CompactPCI<sup>®</sup> J2 are assembled for rear I/O
- Front Panel Connector: D-Sub 44-pin

## Electrical Specifications

- Supply voltage/power consumption:
  - +5V (-3%/+5%), 4000mA max. (500mA on channel)
  - +3.3V (-3%/+5%), 150 mA max.
- TRANSMITTER Output Voltage
  - 35 ohm load, Direct Coupled: 7V min, 8V max
  - 35 ohm load , Transformer coupled: 20V min, 27V max
- Differential resistance
  - Input: 20 Kohm min.
  - Output: 10 Kohm min.
- Differential capacitance
  - Input: 5 pF max.
  - Output: 15 pF max.

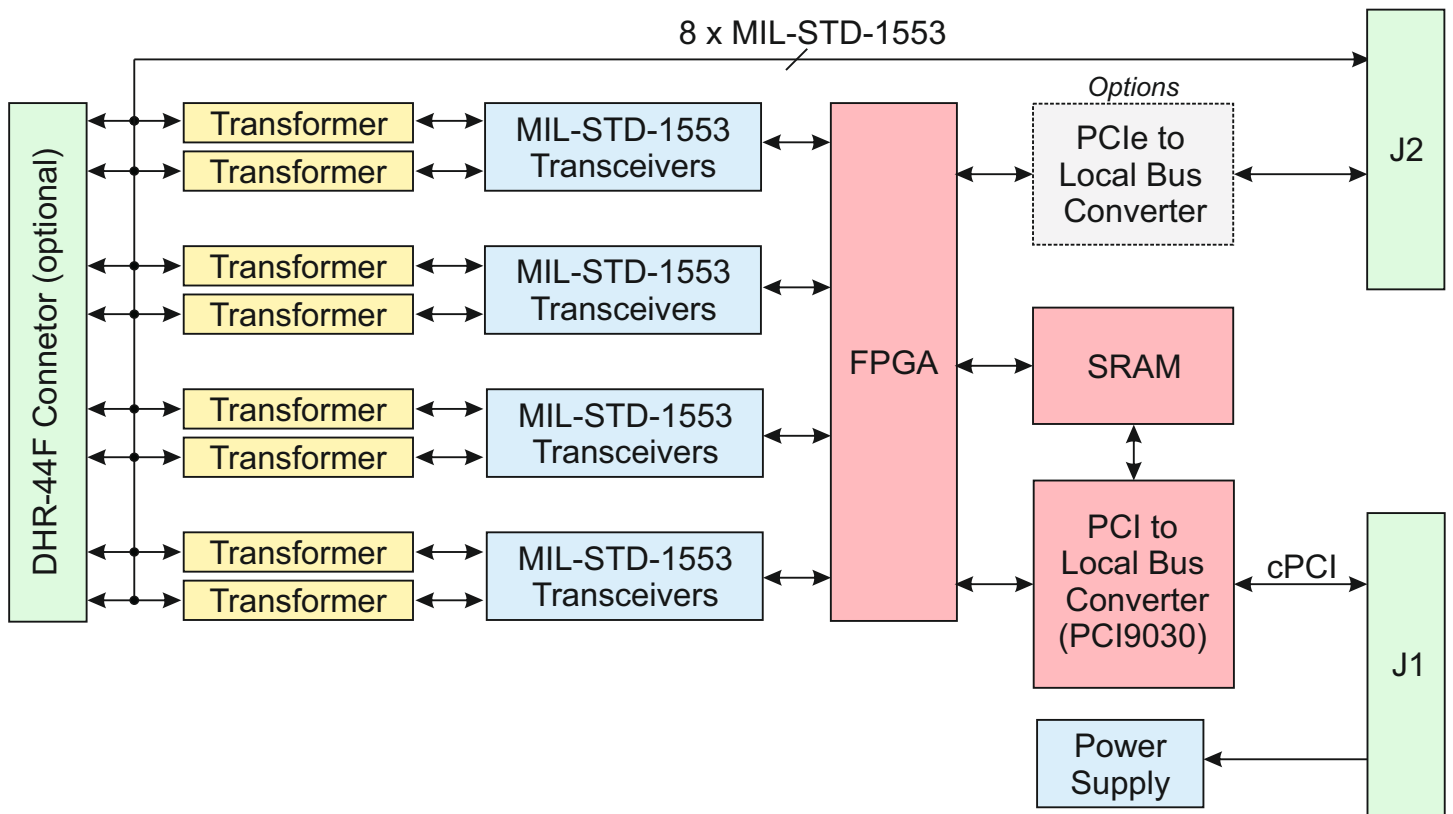
## Mechanical Specifications

- Dimensions: conforming to CompactPCI<sup>®</sup> specification for 3U 4HP boards
- Weight: 200g

## Environmental Specifications

- Temperature range (operation): -40..+85°C
- Temperature range (storage): -40..+85°C
- Relative humidity (operation): max. 95% non-condensing
- Relative humidity (storage): max. 95% non-condensing
- Altitude: -300m to + 3,000m
- Shock: 15g/11ms
- Bump: 10g/16ms
- Vibration (sinusoidal): 2g/10..200Hz

# Block Diagram



# Pin Assignment - I/O Connector

in the process of development

# Order Information

MT3713

- **3U 4HP Compact PCI**
  - **Number of channels: 8**
- 

MT3713S

- **3U 4HP Compact PCI Serial**
  - **Number of channels: 8**
- 

MT3708

- **3U 4HP Compact PCI**
  - **Number of channels: 4**
- 

MT3708S

- **3U 4HP Compact PCI Serial**
- **Number of channels: 4**

# Contact Information

## Hong Kong

SKYTOP ELECTRONICS Ltd  
Rm619 Park Fook Ind., Bldg.  
615-617 Tai Nan West Street  
Cheung Sha Wan, Kowloon

Tel: +852 23108408