

MT3507

3U CompactPCI® Analog I/O

- CompactPCI® PICMG 2.0 Rev. 3.0
- 2 analog input/output channels
- 44 digital input/output channels
- Resolution 12-bit
- Isolation 2 kV to system
- USB 2.0
- SRAM 1Mb



The MT3507 is a standard single-width (4HP) 32 bit 3U CompactPCI® module and provides 2 channels of 12 bit analog inputs/outputs.

It supports immediate and simultaneous load. The sequencer allows update of enabled channels periodically and the sequence timer range extends from 100us to 6.5s.

The programmable input/output voltage range

is 0..5V, 0...10V, 5V, 10V selectable by software.

Each MT3507 is calibrated factory. The calibration information is stored in the Identification-PROM unique of each module.

USB 2.0 are placed on the board in addition.

The MT3507 equipped with SRAM for buffering data.

**Embedded
Solutions**

SKYTOP ELECTRONICS Ltd

Technical Data

Compact PCI Interface

- PICMG 2.0 Rev. 3.0 compliant, 32 Bit address/data/33MHz
-

Analog Inputs/Outputs

- Number of channels: 2
 - Resolutions: 12-bit
 - Maximum frequency of conversion: 21 MHz
 - Basic Accuracy (INL): +/- 1 LSB
 - Input Voltage Range: 0..5V, 0..10V, 5V, 10V
 - Input Current Range: 0.. 20 mA
 - Isolation: 2 kV to system
-

Digital Inputs/Outputs

- Number of channels: 44
 - Input Voltage: +3.3V
-

Miscellaneous

- CompactPCI[®] J2 are assembled for rear I/O
-

USB Interface

- USB 2.0 port on rear I/O connector
-

Memory

- SRAM 1 Mb
-

Electrical Specifications

- Supply voltage/power consumption:
 - +5V (-3%/+5%), 100mA max.
 - +3.3V (-3%/+5%), 300 mA max.
-

Mechanical Specifications

- Dimensions: conforming to CompactPCI[®] specification for 3U boards
 - Weight: 200g
-

Environmental Specifications

- Temperature range (operation): -40..+85°C
 - Temperature range (storage): -40..+85°C
 - Relative humidity (operation): max. 95% non-condensing
 - Relative humidity (storage): max. 95% non-condensing
 - Altitude: -300m to + 3,000m
 - Shock: 15g/11ms
 - Bump: 10g/16ms
 - Vibration (sinusoidal): 2g/10..200Hz
 - Conformal coating on request
-

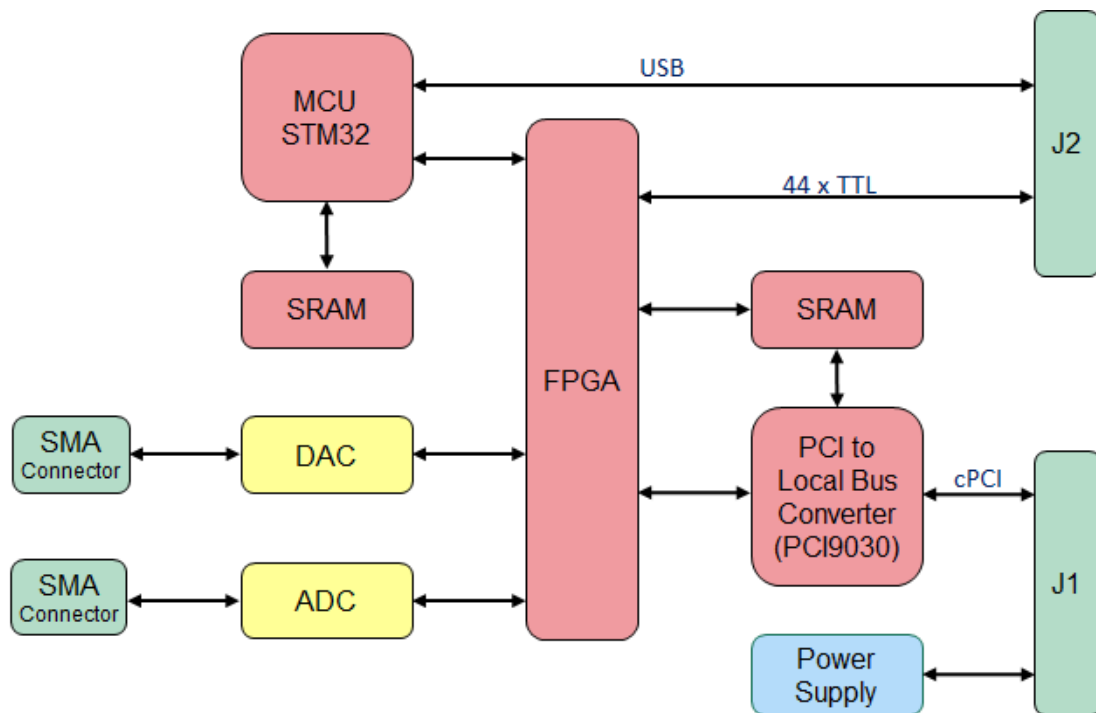
MTBF

300 000 h @ 40°C (derived from MIL-HDBK-217F)

Software Support

- Windows[®] (Windows[®] XP, Windows[®] 7), Linux

Block Diagram



Contact Information

Hong Kong

SKYTOP ELECTRONICS Ltd

Rm 619, Park Fook Ind., Bldg.,
615-617 Tai NaN West Street, Kowloon

Tel: + 852 35979249
+ 852 52876473

www.skytop-electronics.com
info@skytop-electronics.com

SKYTOP ELECTRONICS Ltd keeps the right to change technical specification without further notice.
All trademarks mentioned are property of their respective owners.