

MT3401

3U 4 Channel RS422 / RS485

- 4 Channel Isolated Serial Interface RS422/485
- For RS422 and RS485-FD support of RxD, TxD and GND per channel
- For RS485-HD support of DX+, DX- and GND per channel
- USB 2.0 compliant interface
- Programmable baud rates up to 10 Mbit/s
- ESD protected transceiver (up to +/- 15KV according to IEC 1000-4-2)
- Front panel or rear I/O



The MT3401 is a standard single-width (4HP) 3U module with four channels of high performance RS422/485-HD/FD serial interface. Each of the four channels is isolated from the system and against each other by optocoupler and on board DC/DC converter per channel.

The serial channels are accessible through a DSUB connector mounted in the front panel and rear J2 I/O. For RS422 and RS485-FD a four wire interface (RX+, RX-, TX+, TX-) plus isolated ground (GND)

per channel is supported. For RS485-HD a two wire interface (DX+, DX-) plus isolated ground (GND) per channel is supported. The baud rate is individually programmable up to 10 Mbit/s for each channel.

Each receiver input and transmitter output of all channels is protected against electrostatic discharge (ESD) up to +/- 15kV according to IEC 1000-4-2.

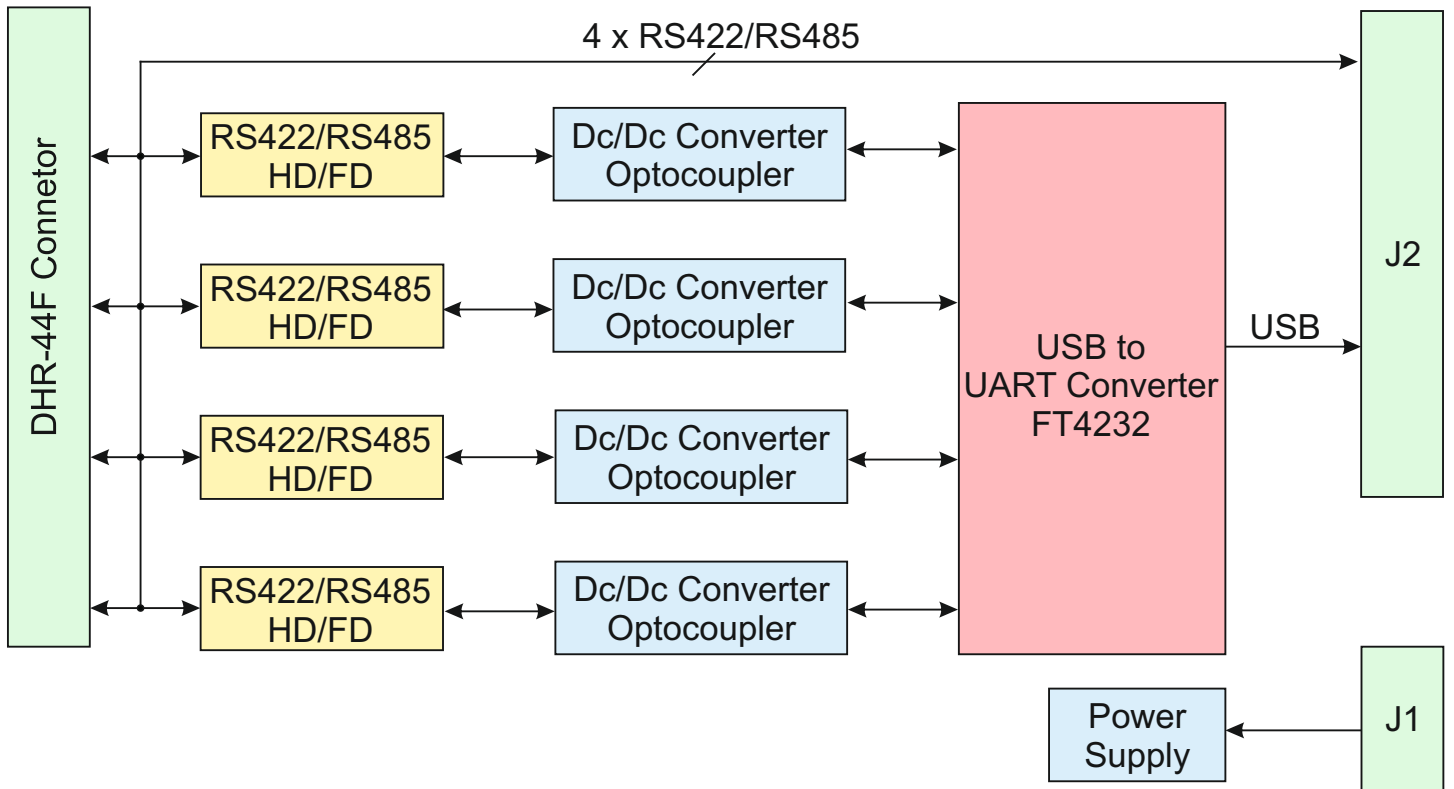
**Embedded
Solutions**

SKYTOP ELECTRONICS Ltd

Technical Data

I/O	<ul style="list-style-type: none">• RS422/485<ul style="list-style-type: none">• Four channels of high performance RS422/485-HD/FD serial interface• Programmable baud rates up to 10 Mbit/s• ESD protected transceiver (up to +/- 15KV according to IEC 1000-4-2)• DSUB connectors at front panel or J2 rear I/O• USB<ul style="list-style-type: none">• USB to UART converter FT4232H• USB 2.0 port on the J2 rear I/O connector
Miscellaneous	<ul style="list-style-type: none">• CompactPCI® J1 connector are assembled for power supply• CompactPCI® J2 rear I/O connector for interface I/O
Electrical Specifications	<ul style="list-style-type: none">• Supply voltage/power consumption:<ul style="list-style-type: none">• +5V (-3%/+5%), 200 mA max.• +3.3V (-3%/+5%), 15 mA max.
Mechanical Specifications	<ul style="list-style-type: none">• Dimensions: conforming to CompactPCI® specification for 3U 4HP boards• Weight: 200g
Environmental Specifications	<ul style="list-style-type: none">• Temperature range (operation): -40..+85°C• Temperature range (storage): -40..+85°C• Relative humidity (operation): max. 95% non-condensing• Relative humidity (storage): max. 95% non-condensing• Altitude: -300m to + 3,000m• Shock: 15g/11ms• Bump: 10g/16ms• Vibration (sinusoidal): 2g/10..200Hz• Conformal coating on request
MTBF	<ul style="list-style-type: none">• 300 000 h @ 40°C (derived from MIL-HDBK-217F)
Software Support	<ul style="list-style-type: none">• Windows® (Windows® XP, Windows® 7), Linux

Block Diagram



Contact Information

Hong Kong

SKYTOP ELECTRONICS Ltd

Rm 619, Park Fook Ind., Bldg.,
615-617 Tai NaN West Street,
Kowloon

Tel.: +852 359 79 249
+852 528 76 473

www.skytop-electronics.com
info@skytop-electronics.com

SKYTOP ELECTRONICS Ltd keeps the right to change technical specification without further notice.
All trademarks mentioned are property of their respective owners.